

# General Specifications

GS 33K30D10-50E

Model LPC6900, LPC6910,  
LPC6920, LPC6930  
SEM Sequence of Events  
Manager (for Vnet/IP and FIO)



[Release 5]

## GENERAL

This GS (General Specifications) describes the specifications of the Sequence of Events Manager (SEM). The SEM captures, records and displays in chronological order the sequence of events (SOE) prior to and during a plant trip. The SEM provides a means of recording activities leading to a potential plant upset or trip.

The SEM offers the following benefits:

- High-speed capturing of events with one millisecond time stamp resolution
- SOE inputs available for use as control and or monitoring signals
- Accurate system time synchronization across a Vnet/IP system without additional hardware
- Time synchronization with Simple Network Time Protocol (SNTP) server (Option)
- Trip Report for a specified time period upon occurrence of user defined triggers
- Long-term data storage and automatic trip report generation
- SOE data output to OPC clients (e.g. Exaquantum)
- SOE viewing and reporting at multiple Human Interface Stations (HIS) and/or any other PCs via Ethernet
- SOE viewing and reporting that integrate SOE messages with process alarms and other process related events

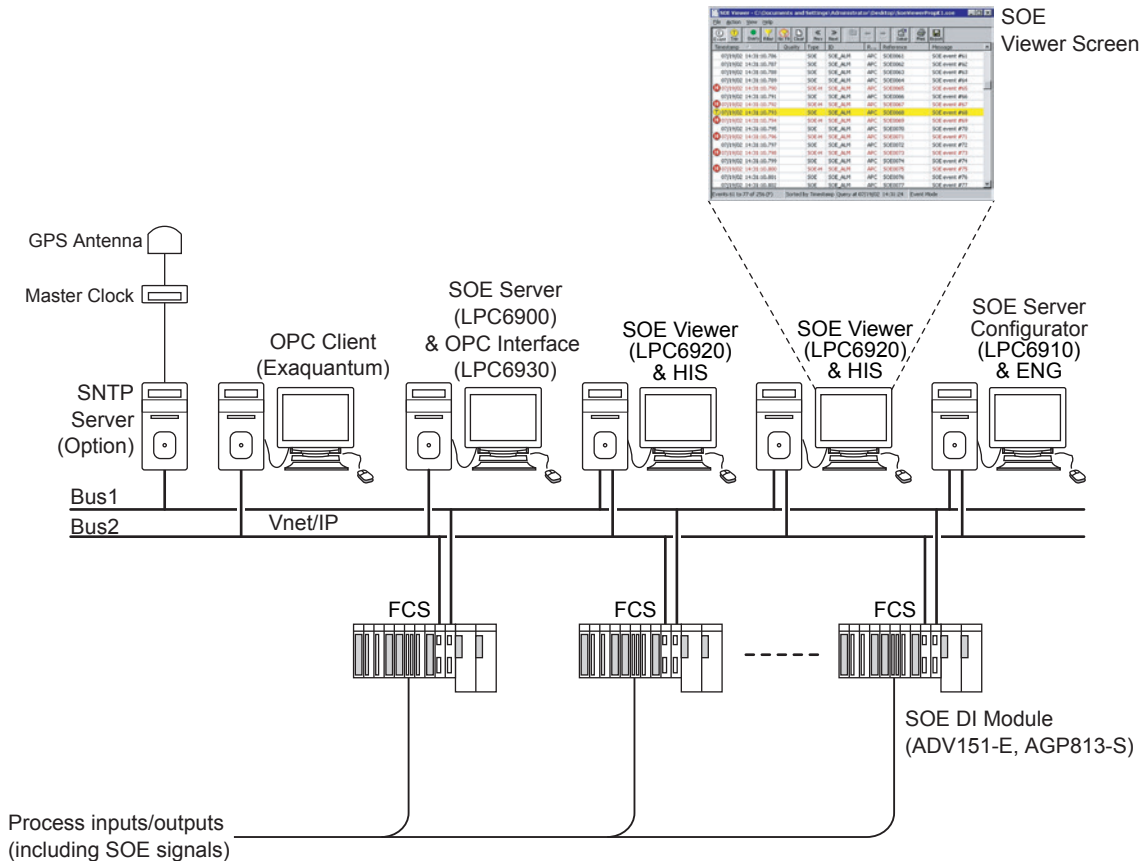


Figure: Example of SEM System Basic Configuration

F01E.ai

---

## ■ OPERATING ENVIRONMENT

### ● Hardware Requirements

#### SOE Server

The SOE Server function runs on a PC which meets the following requirements:

- PC: A personal computer (IBM PC/AT-compatible) following the basic specifications of HIS.  
For details of HIS, see GS 33K05D10-50E.
- Hard disk: Refer to the "Database capacity" in the "■ SPECIFICATIONS OF SOE SERVER"
- Network: One Ethernet network on the bus2 of Vnet/IP for the SOE Server.  
For details of Vnet/IP network specifications, see GS 33K01A10-50E.
- Peripherals: DVD drive  
Tape drive for data backup (optional)

#### SOE Viewer and/or SOE Server Configurator

- PC: A personal computer (IBM PC/AT-compatible) following the basic specifications of HIS.  
For details of HIS, see GS 33K05D10-50E.
- Network: One Ethernet network on the bus2 of Vnet/IP for the SOE Server.  
For details of Vnet/IP network specifications, see GS 33K01A10-50E.
- Peripherals: DVD drive

#### Other Components

- AFV30□: Field Control Unit.
- AFV40□: Field Control Unit.
- AFV10□: Field Control Unit. Style 2 or later (Style No. is indicated on the component tag)
- EC402: ESB Bus Coupler Module.
- EC401: ESB Bus Coupler Module. Style 2 or later (Style No. is indicated on the component tag)
- VI702/VI701: Vnet/IP Interface Card. For VI701, firmware revision should be R6 or later  
(Firmware revision No. is indicated under "F" on the revision sticker on the component)
- AVR10D: Duplexed V net Router. Firmware revision of VI451 should be R6 or later  
(Firmware revision No. is indicated under "F2" on the revision sticker on the component)