

To-Till	From-Från	Date-Datum	Reg.	Page-Sidan 2
	01-10-23			
Dealt with by-Utfärdare		Telephone-Telefon-nr		
Sven-Erik Karlsson		187050		

MasterFieldbus-SAMI Star converter PE1293

possible indications is described in the "SUPERVISION AND FAULT TRACING" PART OF THIS DOCUMENT.

1.1.4 Dip switch setup

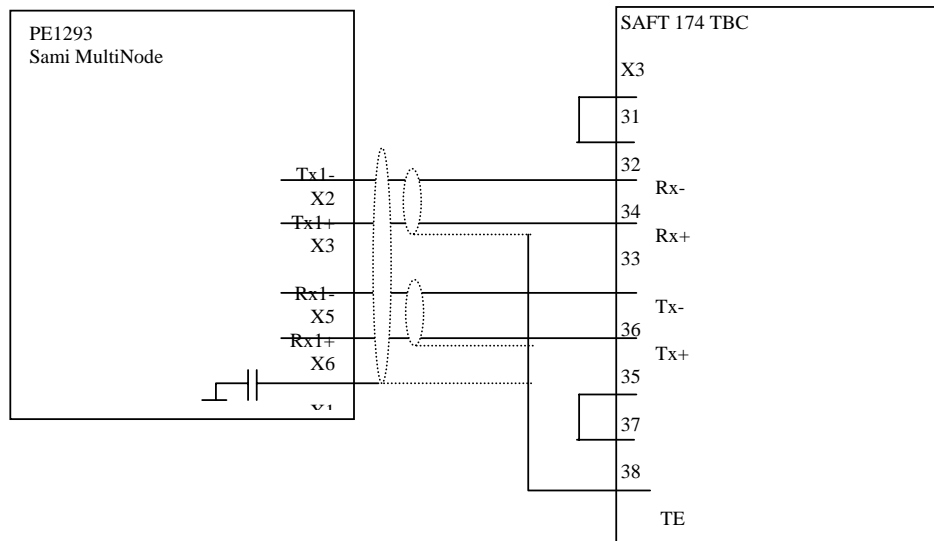
S1	Normal	FUNCTION
1	Off	On=Halt cyclic presentation on LCD
2	On	No disconnect on three faulty request to SAMI Star
3	On	Show checksum in display
4		Spare
5		Spare
6		Spare
7	On	Select address mode (100 x bus number)
8	On	Select 375 kbps on ABB MasterFieldbus

1.1.5 Connections

ABB MasterFieldbus:

SamiMultiNode is connected to ABB MasterFieldbus with an eight terminals connector. Parallell to this is an other connector of the same type which is used to connect the next unit in multidrop. If SamiMultiNode is the last unit on the bus, the bus has to be terminated with three jumpers on the SamiMultiNode unit.

Connection of PE1358A to SamiStar with SAFT 174 TBC and SAFT 188 IOC



To-Till	From-Från	Date-Datum	Reg.	Page-Sidan
	01-10-23			
	Dealt with by-Utfärdare	Telephone-Telefon-nr		3
	Sven-Erik Karlsson	187050		

MasterFieldbus-SAMI Star converter PE1293

Sami Star current loop:

The serial link from SAMI Star to SamiMultiNode is connected with two 3 screw terminal block adapters. The cable should be a FKAR-PIG or FLEAK 2 x 2 x 0.5, twisted, pair screened, common screened or of similar type.

There is two different ways to connect the serial link in SAMI Syar depending on the equipment in the convertor.

In a single drive is normally a SAFT 174 TCB and a SAFT 188 IOC card used. With a SAFT 188 IOC it is only possible to use channel 2 for the serial link.

In a sectional drive is normally a SAFT 189 TSI card used. This card has two serial links that can be used for the communication to SamiMultiNode and in most cases channel 1 is used. Channel 2 is usually reserved for the transmission of the torque reference in master - slave configuration.

Connection of PE1358A to SamiStar with SAFT 189 TSI

