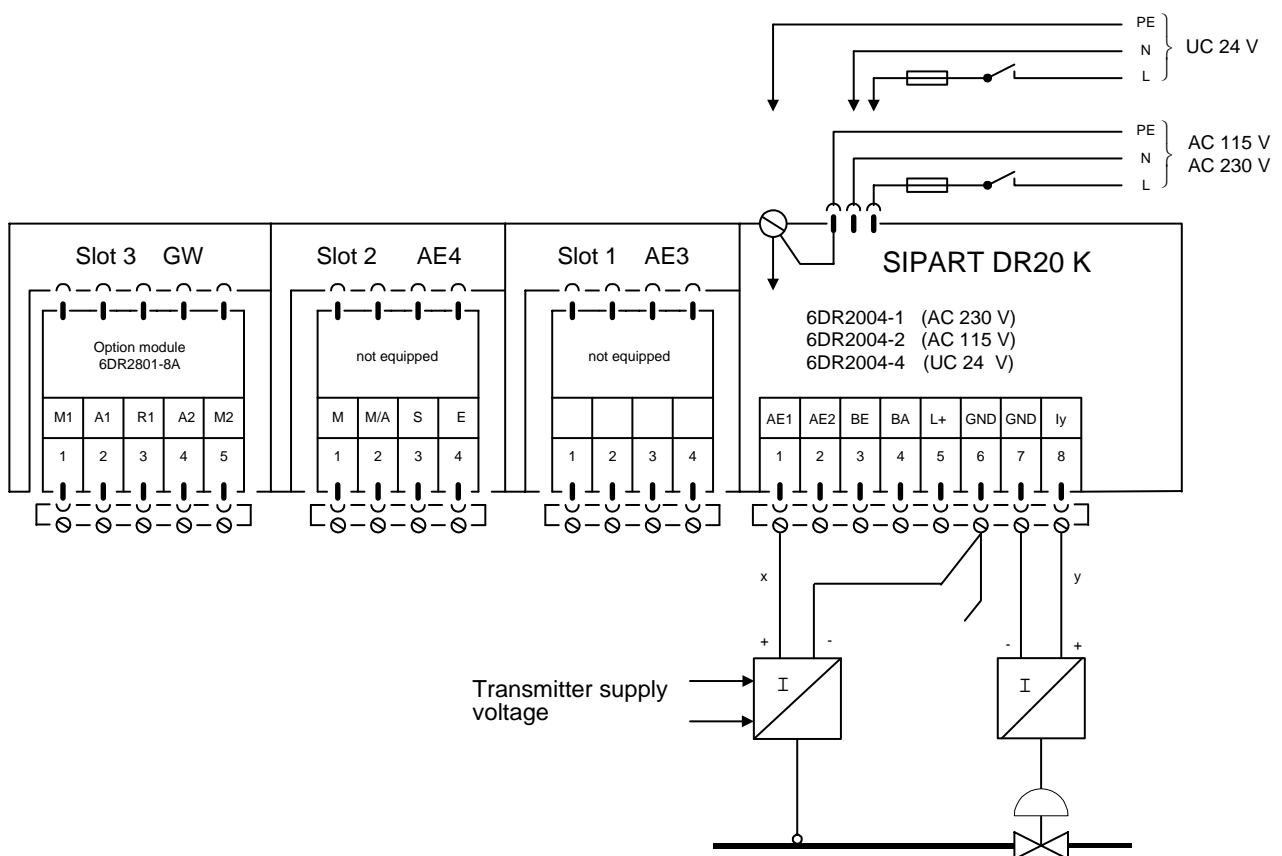


<p><b>Planning example K1</b></p>	<p>Fixed setpoint control, controlled variable from four-wire transmitter</p>
	<p>The controlled variable <math>x</math> from the transmitter is applied to the analog input AE1 of the controller. The programming corresponds to an input signal range of 0 to 20 mA. The manipulated variable output is also 0 to 20 mA. The transmitter can be powered from the controller (+ to terminal 5, -1 to terminal 6). The alarm circuit monitors the negative deviation <math>x_d</math> for max./min. deviations (set parameters A2 and A1!).</p>

Please refer to the remarks on page 108 !

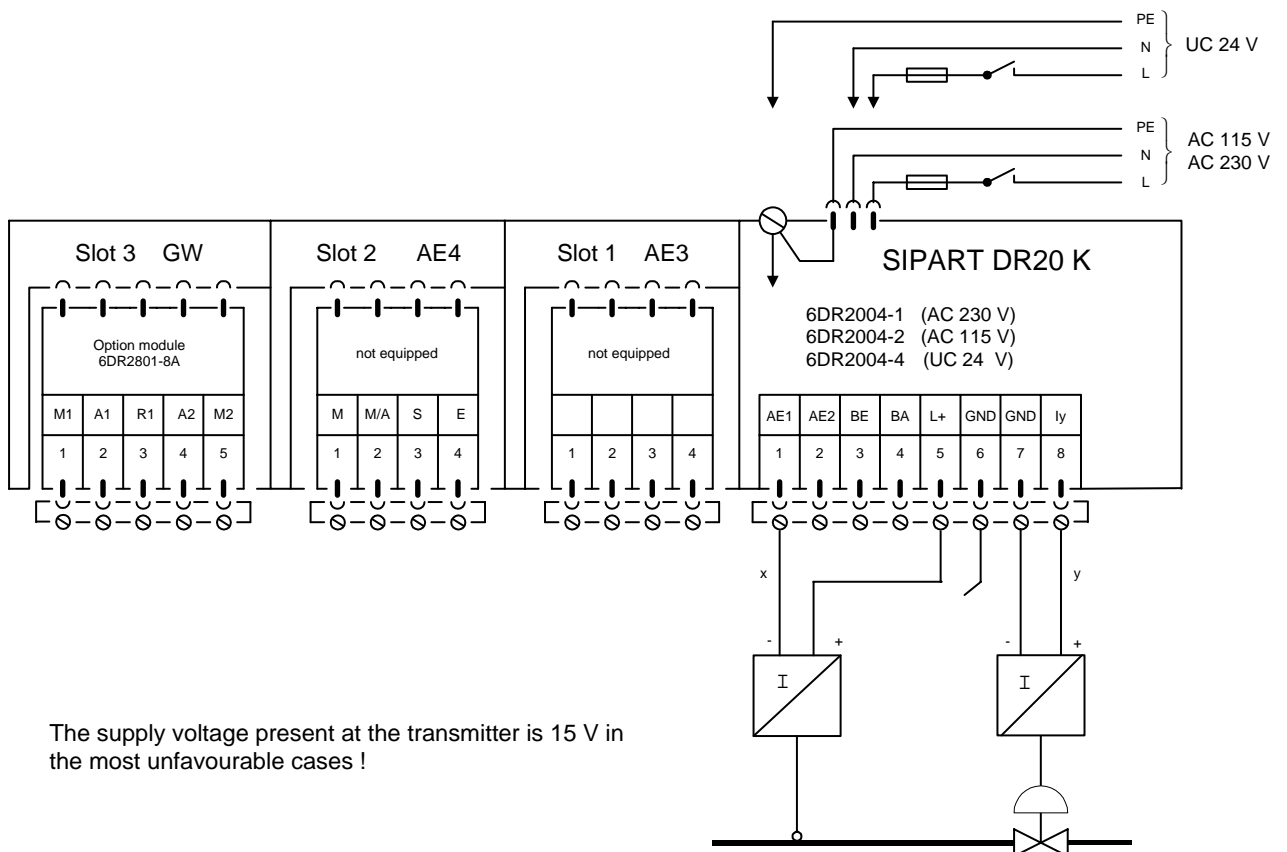
Setting of configuring switches: All configuring switches in factory setting.

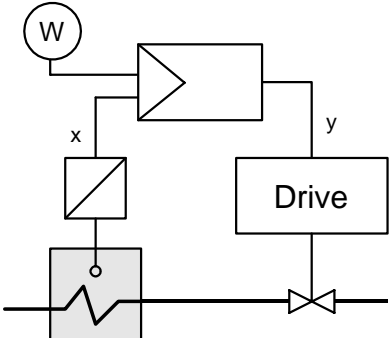


<p><b>Planning example K2</b></p>	<p>Fixed setpoint control, controlled variable from two-wire transmitter</p>
	<p>The controlled variable <math>x</math> from the transmitter is applied to the analog input AE1 of the controller; the transmitter supply is via the same lines. The input signal range of the controller is 4 to 20 mA. The manipulated variable output is also 4 to 20 mA. The alarm circuit monitors the negative deviation <math>x_d</math> for max./min. deviations (set parameters A2 and A1!).</p>

Please refer to the remarks on page 108 !

Setting of configuring switches: S4 = 1; S37 = 1



<p><b>Planning example K3</b></p>	<p>Fixed setpoint control, controlled variable direct from Pt 100 resistance thermometer in three-wire circuit</p>
	<p>The controlled variable <math>x</math> from the Pt 100 is applied to the analog input AE3. The measuring range can be programmed; the min. span is 50 K, the min. start-of-scale value - 50 °C, the max. full-scale value 850 °C (see information on page 76).                  The manipulated variable output is 0 to 20 mA; a signal range of 4 to 20 mA can be set using configuring switch S37 = 1.                  The alarm circuit monitors the controlled variable (temperature) (set parameters A2 = min. and A1 = max. !).</p>

Please refer to the remarks on page 108 !

Setting of configuring switches: S8= 1, S22 = 1

